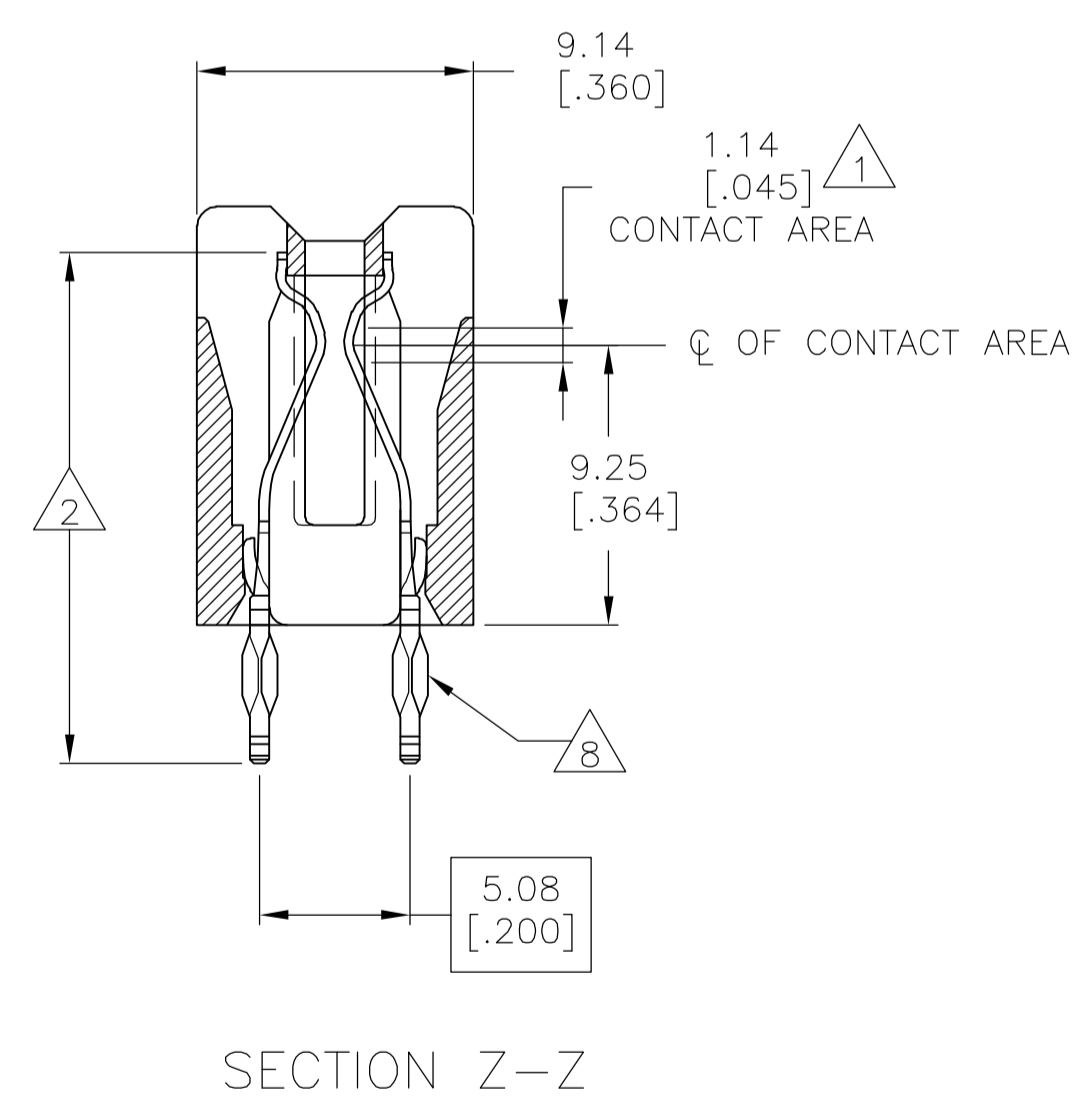
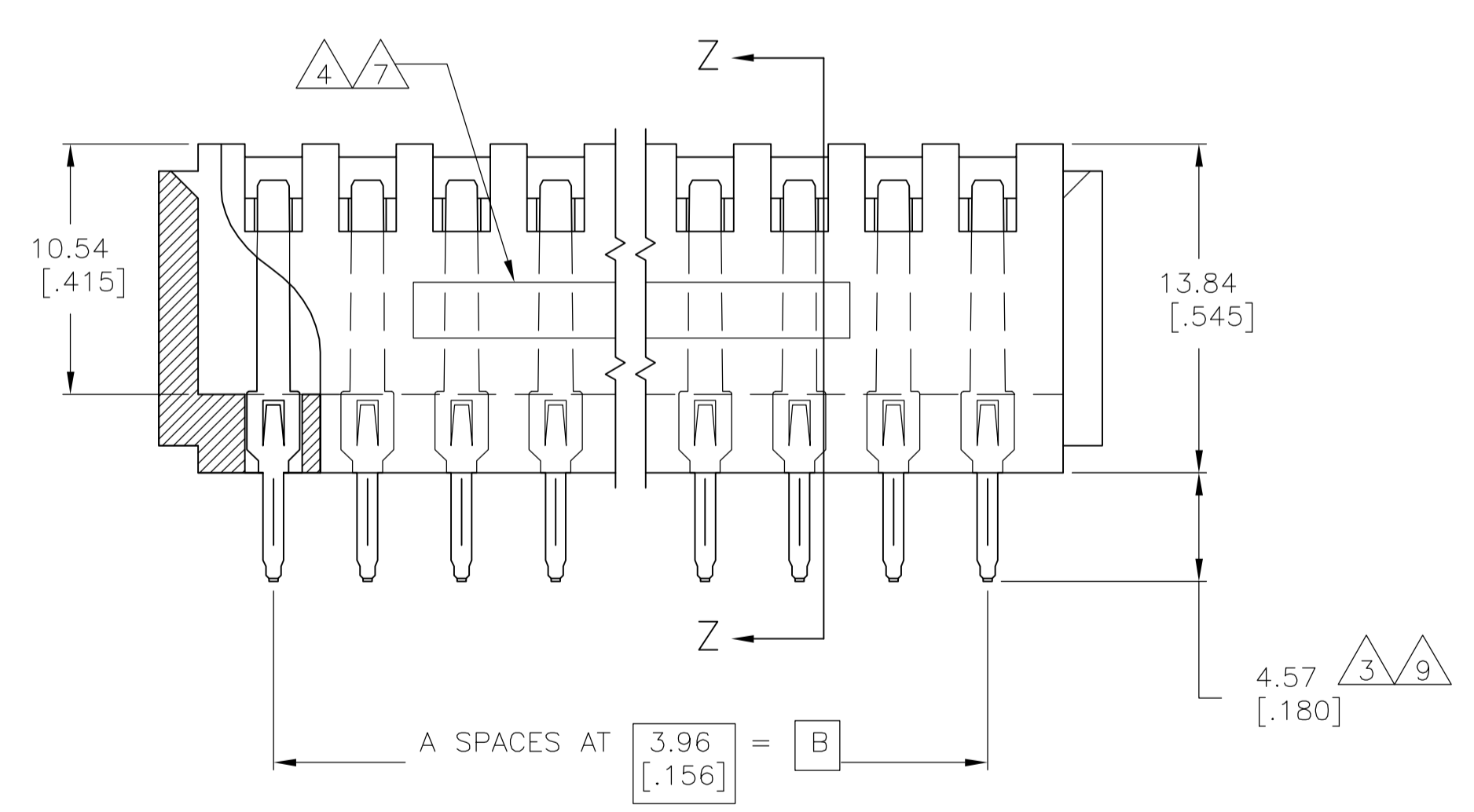
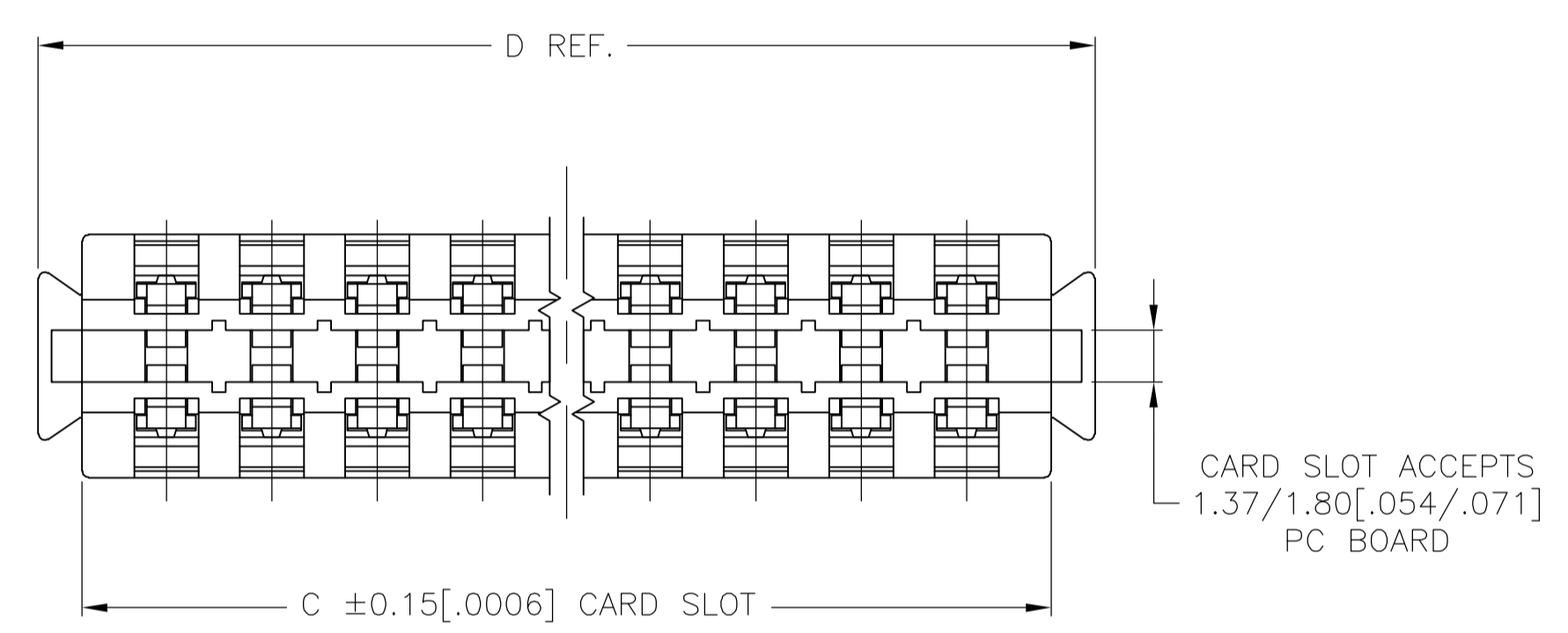


- 1 GOLD PLATE .00076 [.000030] MIN. THICK.
- 2 NICKEL PL. .00127[.000050] MIN. THK. PER QQ-N-290
- 3 SOLDER PL. .00254[.000100] MIN. THK.
- 4 STAMPED P/N & DATE CODE.
- 5. OPTIONAL: KEYING PLUG FOR INTERCONTACT KEYING IS 118982-1
- 6. OPTIONAL: CARD GUIDE (BASE NO 117169)
- 7 ALL PARTS ASSEMBLED IN MEXICO MUST BE STAMPED "ASSY IN MEXICO". THE WORD "MEXICO" CAN BE SUBSTITUTED ONLY WHERE PART SIZE PROHIBITS STAMPING "ASSY IN MEXICO", INK COLOR WHITE PER 115-9009, APPROX WHERE SHOWN, SIDE OPTIONAL.
- 8 ACTION PIN REQUIRES 2.13[.084] MIN. THK. PC BOARD.

REQ'D DRILL SIZE	HOLE DIA ±.03[.001]	PLATING THICKNESS		HOLE DIAMETER		COPPER HARDNESS (KNOOP)	PAD DIA MIN.
		COPPER	TIN/LEAD	AFTER PLATING	AFTER REFLOW		
1.15mm	1.15 [.0453]	0.03-0.08 [.001-.003]	0.008 MIN. [.0003] MIN.	0.94-1.09 [.037-.043]	0.914-1.09 [.0036-.043]	150 MAX	1.57 [.062]
1.15mm	1.15 [.0453]	NOT PLATED THRU					1.65 [.065]

- 9 MATTE TIN PL. .00254[.000100] MIN. THK.



177.65 [6.994]	174.35 [6.864]	166.42 [6.552]	42	43	7-119790-9	
118.21 [4.654]	114.91 [4.524]	106.98 [4.212]	27	28	6-119790-4	
94.44 [3.718]	91.13 [3.588]	83.21 [3.276]	21	22	5-119790-8	
66.70 [2.626]	63.40 [2.496]	55.47 [2.184]	14	15	5-119790-1	
177.65 [6.994]	174.35 [6.864]	166.42 [6.552]	42	43	2-119790-9	
-	-	-	-	-	2-119790-8	
-	-	-	-	-	2-119790-7	
-	-	-	-	-	2-119790-6	
-	-	-	-	-	2-119790-5	
-	-	-	-	-	2-119790-4	
-	-	-	-	-	2-119790-3	
OBSOLETE	149.91 [5.702]	146.61 [5.772]	138.68 [5.468]	35-36	2-119790-2	
-	-	-	-	-	2-119790-1	
-	-	-	-	-	1-119790-9	
-	-	-	-	-	1-119790-8	
-	-	-	-	-	1-119790-7	
-	-	-	-	-	1-119790-6	
-	-	-	-	-	1-119790-5	
OBSOLETE	118.21 [4.654]	114.91 [4.524]	106.98 [4.212]	27	28	1-119790-4
OBSOLETE	114.25 [4.498]	110.95 [4.368]	103.02 [4.056]	26	27	1-119790-3
-	-	-	-	-	1-119790-2	
-	-	-	-	-	1-119790-1	
OBSOLETE	102.36 [4.030]	99.06 [3.900]	91.13 [3.588]	23-24	1-119790-0	
-	-	-	-	-	119790-9	
-	-	-	-	-	119790-8	
-	-	-	-	-	119790-7	
-	-	-	-	-	119790-6	
-	-	-	-	-	119790-5	
-	-	-	-	-	119790-4	
-	-	-	-	-	119790-3	
-	-	-	-	-	119790-2	
66.70 [2.626]	63.40 [2.496]	55.47 [2.184]	14	15	119790-1	
D	C	B	A	POSN	PART NO.	

THIS DRAWING IS A CONTROLLED DOCUMENT. DWN: R.L. LEHR 10-FEB-93
 CHK: H. ROSE 7/8/94
 APVD: H. ROSE 7/8/94
 NAME: H. ROSE

TOLERANCES UNLESS OTHERWISE SPECIFIED:
 0 PLC ± -
 1 PLC ± -
 2 PLC ± -
 3 PLC ± 0.25[.010]
 4 PLC ± -
 ANGLES ± -

MATERIAL: HOUSING: VALDX 420 SED, BLACK; CONTACTS: COPPER NICKEL
 FINISH: 1 2 3 9

tyco Electronics
 Tyco Electronics Corporation
 Harrisburg, Pa 17105-3608

CONNECTOR, AMP PACE .156 X .200

SIZE: A1
 CAGE CODE: 00779
 DRAWING NO: 119790
 WEIGHT: -
 RESTRICTED TO: -

CUSTOMER DRAWING SCALE: 4:1 SHEET: 1 OF 1 REV: H